

Technical data sheet



Product features

Washing table 120x70x90 - 1x sink 50x40x30 drain area right

Model	SAP Code	00002570
MSJOP/M 7012	A group of articles - web	Table sinks



- Material: AISI 430 + AISI 304
- Width of internal part [mm]: 500
- Depth of internal part [mm]: 400
- Height of internal part [mm]: 300
- Shelf: Right

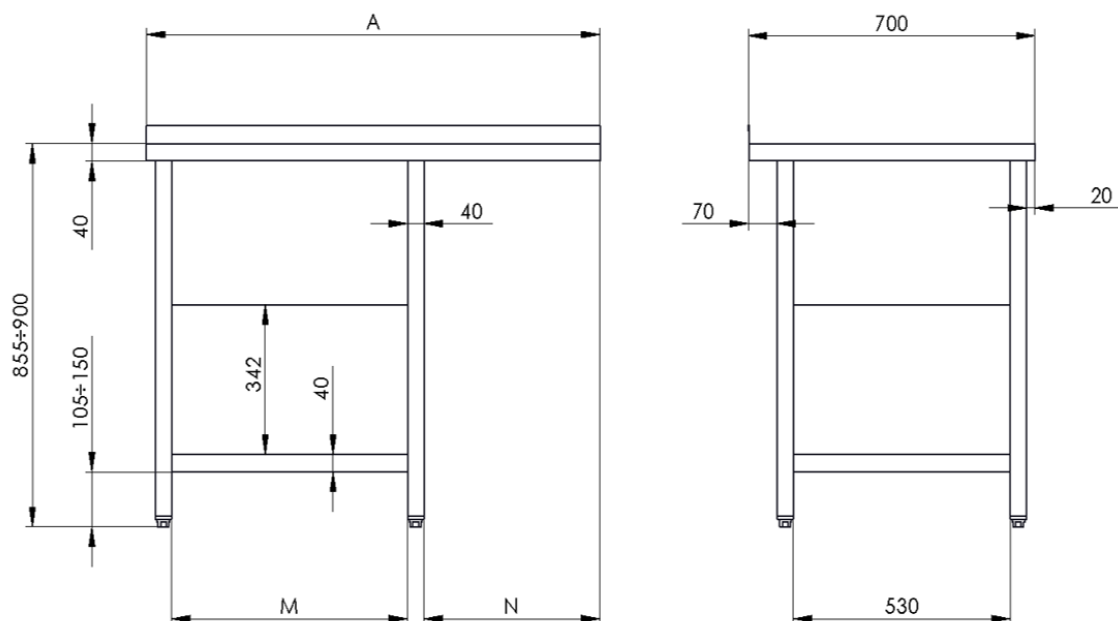
Technical data sheet



Technical drawing

Washing table 120x70x90 - 1x sink 50x40x30 drain area right

Model	SAP Code	00002570
MSJOP/M 7012	A group of articles - web	Table sinks



ARTICLE	A (MM)	M (MM)	N (MM)
MSDOP/M- 150x70x90_(2x 40x50x30)	1500	877	523
MSDOP/M- 160x70x90	1600	1077	423
MSDOP/M- 190x70x85 (2x 40x50x30)	1900	1077	723
MSDOP/M- 190x70x90	1900	1277	523
MSDOP/M- 190x70x90_(2x 40x50x30)	1900	1077	723
MSDOP/M- 210x70x90_(2x 60x50x32)	2100	1277	723
MSDOP/M-150x70x85_(2x 40x50x30)	1500	796	604
MSDOP/M-160x70x90_(2x 40x50x30)	1600	877	623
MSJOP/M- 120x70x90	1200	520	580
MSJOP/M- 120x70x90_(50x40x30)	1200	520	580
MSJOP/M- 140x70x90	1400	577	723
MSJOP/M- 140x70x90_(50x40x30)	1400	577	723
MSJOP/M- 160x70x90_(50x40x32)	1600	877	623
MSJOP/M- 180x70x90 (50x40x32)	1800	1077	623

Technical data sheet



Technical parameters

Washing table 120x70x90 - 1x sink 50x40x30 drain area right

Model	SAP Code	00002570
MSJOP/M 7012	A group of articles - web	Table sinks

1. SAP Code:

00002570

2. Net Width [mm]:

1200

3. Net Depth [mm]:

700

4. Net Height [mm]:

900

5. Net Weight [kg]:

25.00

6. Gross Width [mm]:

1410

7. Gross depth [mm]:

710

8. Gross Height [mm]:

490

9. Gross Weight [kg]:

27.00

10. Material:

AISI 430 + AISI 304

11. Width of internal part [mm]:

500

12. Depth of internal part [mm]:

400

13. Height of internal part [mm]:

300

14. Shelf:

Right

15. Number of cavities:

1

16. Recommended accessories:

00001700;00002773;00006390;00006403

17. Worktop Thickness [mm]:

1.00